


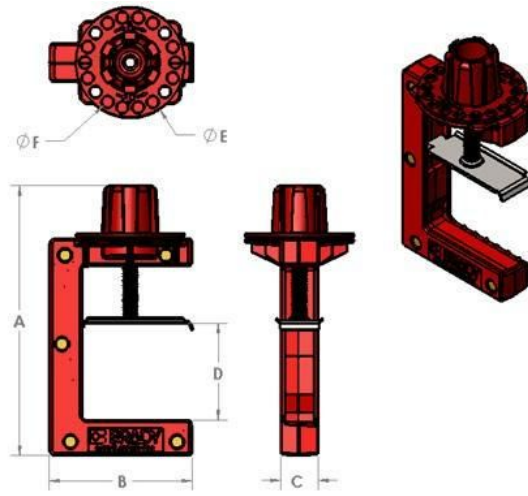
**Butterfly Valve Lockout Device**

TDS No. LOTO-71  
 Effective Date: 10/16/2017

**Description**

<p><b>Design</b></p> <ul style="list-style-type: none"> <li>Innovative design to lock out butterfly valves with lever handles in the OFF position</li> <li>Available in two sizes (large and small), and will accommodate handle thicknesses of:                     <ul style="list-style-type: none"> <li>Small - 1/8" to 2-1/2" [3.2mm to 63.5mm]</li> <li>Large - 2" to 4" [50.8mm to 102mm]</li> </ul> </li> </ul>																																				
<p><b>Material</b></p> <ul style="list-style-type: none"> <li>Impact Modified Nylon 6/6 (Color: Red - PMS 1805C)</li> <li>Brass Rivets</li> <li>Stainless Steel Threaded Rod, Nut, and Plate</li> </ul>	<table border="1"> <thead> <tr> <th>Chemical</th> <th>°C</th> <th>Chemical</th> <th>°C</th> </tr> </thead> <tbody> <tr> <td>Acetone</td> <td>25</td> <td>Petroleum</td> <td>25</td> </tr> <tr> <td>Acetone</td> <td>60</td> <td>Turpentine oil</td> <td>25</td> </tr> <tr> <td>Chlorine, chlorine water</td> <td>25</td> <td>Turpentine substitute (white spirit)</td> <td>25</td> </tr> <tr> <td>Fuel, engine: Gasoline (normal &amp; premium grade)</td> <td>85</td> <td>Trichloroethane 1,1,1</td> <td>45</td> </tr> <tr> <td>Lubrication oil: gear oil</td> <td>&lt; 120</td> <td>Lubricating oil: HD engine oils, hydraulic oils, transformer oils</td> <td>&lt; 120</td> </tr> <tr> <td>Fuel, engine: M15 mixture (15% methanol)</td> <td>70</td> <td>Water (including seawater)</td> <td>25</td> </tr> <tr> <td>Methanol</td> <td>25</td> <td>Water (including seawater), chlorinated (&lt;0,5 mg/l)</td> <td>80</td> </tr> </tbody> </table>				Chemical	°C	Chemical	°C	Acetone	25	Petroleum	25	Acetone	60	Turpentine oil	25	Chlorine, chlorine water	25	Turpentine substitute (white spirit)	25	Fuel, engine: Gasoline (normal & premium grade)	85	Trichloroethane 1,1,1	45	Lubrication oil: gear oil	< 120	Lubricating oil: HD engine oils, hydraulic oils, transformer oils	< 120	Fuel, engine: M15 mixture (15% methanol)	70	Water (including seawater)	25	Methanol	25	Water (including seawater), chlorinated (<0,5 mg/l)	80
Chemical	°C	Chemical	°C																																	
Acetone	25	Petroleum	25																																	
Acetone	60	Turpentine oil	25																																	
Chlorine, chlorine water	25	Turpentine substitute (white spirit)	25																																	
Fuel, engine: Gasoline (normal & premium grade)	85	Trichloroethane 1,1,1	45																																	
Lubrication oil: gear oil	< 120	Lubricating oil: HD engine oils, hydraulic oils, transformer oils	< 120																																	
Fuel, engine: M15 mixture (15% methanol)	70	Water (including seawater)	25																																	
Methanol	25	Water (including seawater), chlorinated (<0,5 mg/l)	80																																	
<p><b>Temperature Range</b></p> <ul style="list-style-type: none"> <li>Nylon 6/6: -25°C to 60°C (-20°F to 140°F)</li> <li>Brass: -55°C to 100°C (-70° F to 210° F)</li> <li>Stainless Steel: -55°C to 100°C (-70° F to 210° F)</li> </ul>																																				
<p><b>Chemical Resistance</b></p> <p>All approved chemicals listed are based on the manufactures specified chemical resistance chart for plastic material only.</p>																																				
<p><b>Dimensions</b></p> <table border="1"> <tr> <td></td> <td>Small</td> <td>Large</td> </tr> </table>		Small	Large																																	
	Small	Large																																		

	(121504)	(121505)
<b>A</b>	5.57"	7.07"
	[141.5mm]	[179.6mm]
<b>B</b>	3.37"	3.75"
	[85.6mm]	[95.3mm]
<b>C</b>	1.00"	1.00"
	[25.4mm]	[25.4mm]
<b>D</b>	0.22" – 2.39"	1.82" – 3.88"
	[5.6mm – 60.7mm]	[46.2mm – 98.6mm]
<b>E</b>	2.91"	2.91"
	[73.9mm]	[73.9mm]
<b>F</b>	0.30"	0.30"
	[7.62mm]	[7.62mm]
<b>WEIGHT</b>	233gm	265gm



### Warranty

**Note:** All values shown are averages and should not be used for specification purposes. Test data and test results contained in this document are for general information only and shall not be relied upon by Brady customers for designs and specifications, or be relied on as meeting specified performance criteria. Customers desiring to develop specifications or performance criteria for specific product applications should contact Brady for further information.

Product compliance information is based upon information provided by suppliers of the raw materials used by Brady to manufacture this product or based on results of testing using recognized analytical methods performed by a third party, independent laboratory. As such, Brady makes no independent representations or warranties expressed or implied, and assumes no liability in connection with the use of this

### Details:

#### MSDS Information



### Trademarks:

**Note:** All values shown are averages and should not be used for specification purposes.

Test data and test results contained in this document are for general information only and shall not be relied upon by Brady customers for designs and specifications, or be relied on as meeting specified performance criteria. Customers desiring to develop specifications or performance criteria for specific product applications should contact Brady for further information.

Product compliance information is based upon information provided by suppliers of the raw materials used by Brady to manufacture this product or based on results of testing using recognized analytical methods performed by a third party, independent laboratory. As such, Brady makes no independent representations or warranties, express or implied, and assumes no liability in connection with the use of this information.

### WARRANTY

Brady products are sold with the understanding that the buyers will test them in actual use and determine for themselves their adaptability to their intended uses. Brady warrants to the buyers that its products are free from defects in material and workmanship, but limits its obligation under this warranty to replacement of the product shown to Brady's satisfaction to have been defective at the time Brady sold it. This warranty does not extend to any persons obtaining the product from the buyers. This warranty is in lieu of any other warranty, express or implied, including, but not limited to, any implied warranty of merchantability or fitness for a particular purpose, and of any other obligations or liability on Brady's part. Under no circumstances will Brady be liable for any loss, damage, expense, or consequential damages of any kind arising in connection with the use, or inability to use, Brady's products.

Copyright 2019 Brady Worldwide, Inc. | All Rights Reserved  
Material may not be reproduced or distributed in any form without written permission.